

GENERAL DOORS  
*Corporation*



**SRP** series  
STEEL RAISED PANEL



# Built for Appearance, Low Maintenance, and Long Life

## Model SRP Steel Raised Panel Garage Doors

We have captured the timeless elegance of a raised panel door and combined it with the durability, security, and low maintenance of pre-finished 24 gauge steel. Compare our Steel Raised Panel (SRP) model with any other make of steel door. The manufacturing quality and superior appearance are readily apparent after installation and for years to come.

- 2" thick Pan-type door constructed with full 24 gauge steel (.022 thickness)
- Steel is rust-proofed with hot-dipped galvanizing, pre-painted on both sides with a primer, and finished with a top coat of baked on polyester for an exterior paint thickness of 1.0 mil
- Optional factory installed 1-1/2" thick polystyrene insulation with calculated R-value of 6.85 increases energy efficiency while reducing noise levels
- Finely detailed woodgrain surface with deeply embossed panels for a sharp, well-defined appearance
- Raised panel sizes of appropriate proportions and spacing ensure all door sizes have an authentic raised panel look.
- Tog-L-Loc fastening system provides strength to joints without burning or piercing the metal
- Rivet-free door surface creates smooth, uniform look
- 4 factory finish colors to choose from

**Hardware** includes heavy-duty track with a unique elliptical curve that reduces the force necessary to roll the door along the track, making opening and closing easier and smoother. Full leaf, heavy gauge hinges, and rollers with steel bearings offer superior strength and years of trouble-free operation.



### Sizes

**Standard widths:**  
8', 9', 10', 16' and 18'  
**Special order widths are available in 1" increments up to 20'**

**Standard heights:**  
6'6", 7', 7'6", and 8' or 8'2"

### Number of Panels Across

Width	Panels
8', 9' & 10' wide	4
12' & 14' wide	6
15', 16' & 18' wide	8
20' wide	10

Use our industry leading door design software to view our doors on your home

**ENVISION**  
visit [general-doors.com](http://general-doors.com)



# Details distinguish well designed doors from ordinary doors

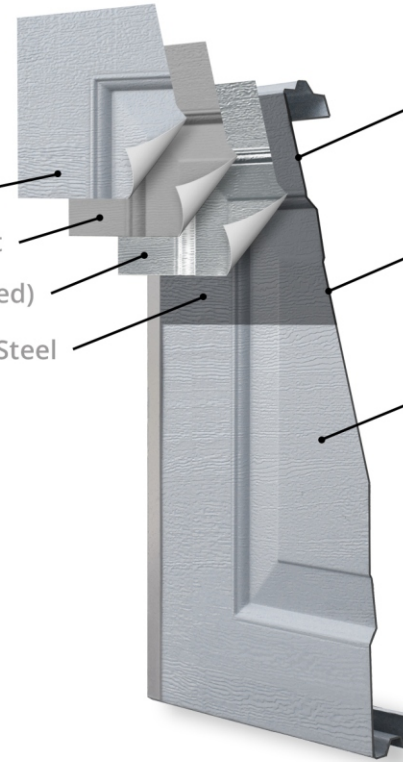
## Color Options

Our SRP is available in four color choices. Although doors do not need repainting, if a custom color is required our paint system provides an excellent base for any field applied paint.



**A standard feature of the SRP is our tough, anti-corrosion protection - inside and out.**

Baked-on Polyester Top Coat  
Primer Coat  
Hot-dipped Zinc Coat (Galvanized)  
Base Steel



Our heavy 24 gauge steel is the thickest steel available for a residential garage door, making it strong, secure and more dent resistant

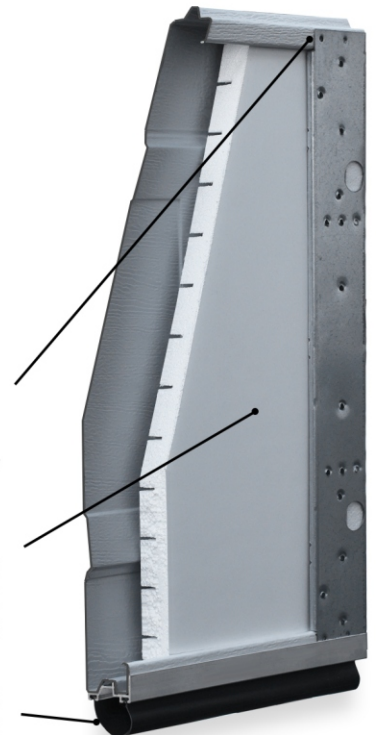
Durable two coat baked-on polyester finish on top of G-40 hot-dipped galvanized steel

Finely detailed wood grain texture and deeply embossed panels

Tog-L-Loc fastening system strengthens joints

Optional, factory installed 1-1/2" polystyrene insulation with rigid vinyl backing and a calculated R-value of 6.85 increases energy efficiency while reducing noise levels

Resilient vinyl weather strip minimizes air infiltration



Compare the authentic raised panel appearance of our doors to any other

# Window Options

Garage door windows have a great deal to do with the overall look of any garage door. General Doors' SRP doors up to 10' wide are available with either two windows (long panel) or four windows (short panel), plus several distinctive design trim styles that work with a variety of architecture. Wider doors have different layouts. Color matched frames and design trim inserts that snap-in and snap-out for easy glass cleaning are standard. SRP windows are DSB (double strength) glass.



397 Colonial Short Panel



591 Cascade-6 Lite Short Panel



393 Cathedral Short Panel



320 Waterton Short Panel



306 Sherwood Short Panel



305 Sunburst Short Panel



306 Sherwood Long Panel



305 Sunburst Long Panel



591 Cascade Long Panel



397 Stockton-12 Lite Long Panel



388 Somerton-8 Lite Long Panel



320 Waterton Long Panel



387 Colonial-8 Lite Long Panel



588 Wyndbridge Arch Long Panel



587 Wyndbridge Long Panel



388 Somerton & 387 Colonial Combo



405 Single Sunburst Short Panel



405 Single Sunburst Long Panel



588 Wyndbridge Arch & 587 Wyndbridge Combo



10-year limited warranty against rust-through. Three year hardware warranty. See dealer for complete warranty information.

## Green Building Benefits

Energy savings from insulation value, local manufacturing, recycled content, and product longevity.



Your Local Authorized General Doors Distributor:

© 11-2019, General Doors Corporation

Printed in U.S.A.



1 Monroe Street  
 PO Box 205 Bristol, PA 19007-0205  
 215.788.9277 Fax: 215.788.9450  
 general-doors.com  
 sales@general-doors.com